

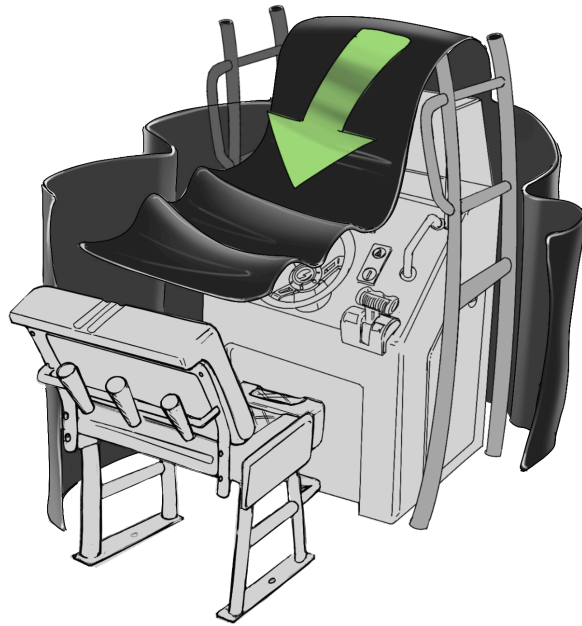


T-Top Console Cover

Large Size

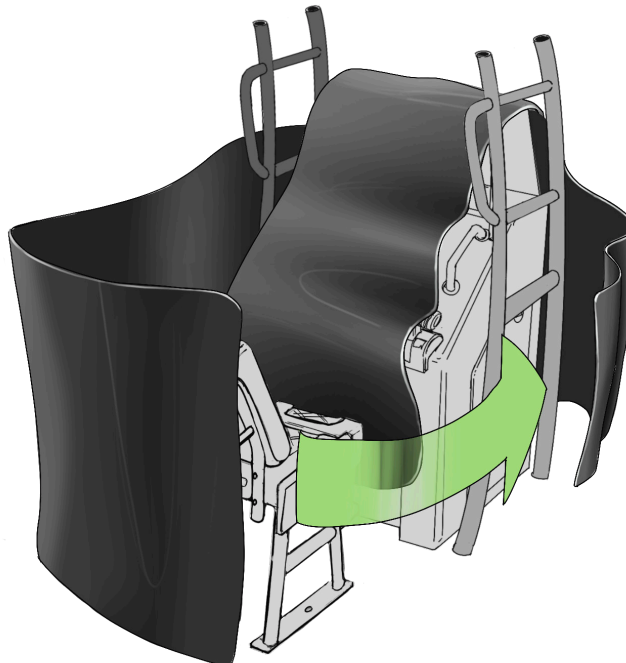


Step 1: Place on Center Console



Locate the center flap and place it over the center console.

Step 2: Wrap Around Console



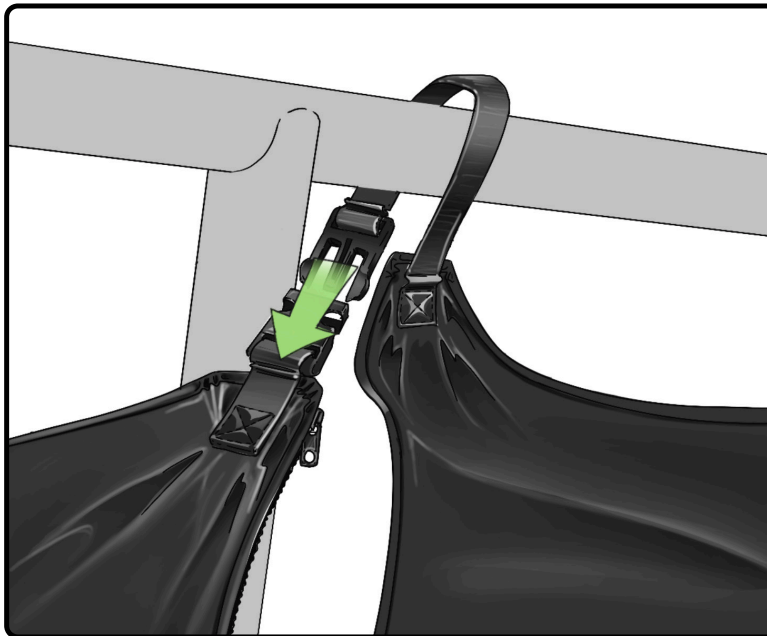
Walk the long side of the canvas around the console.



Do you have questions? Call us @ 800.835.7992 Mon. - Thurs. 9am-5pm and Friday 8am-4pm EST

1

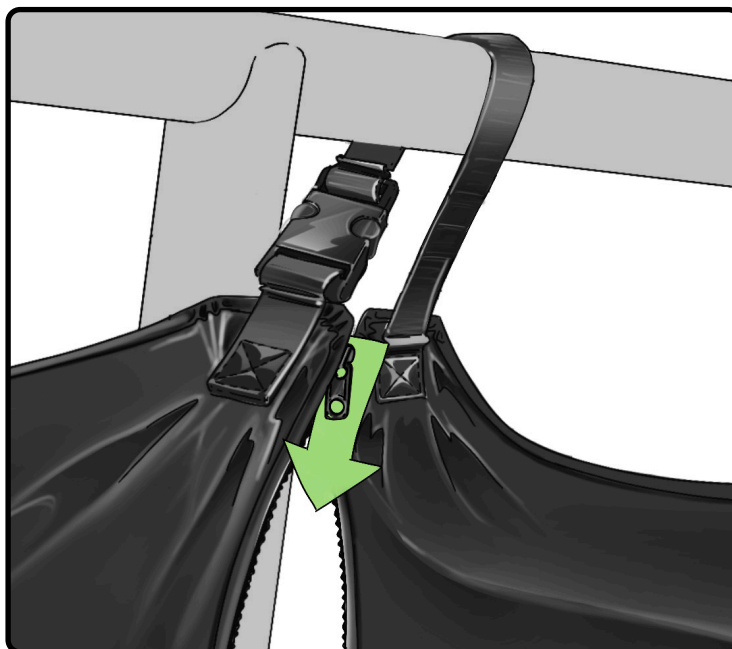
Step 3: Fasten Side Buckles



Locate the side buckle and strap, place over the t-top frame, and clip it to the buckle.

Repeat this on the opposite side of the console.

Step 4: Zip Down the Cover

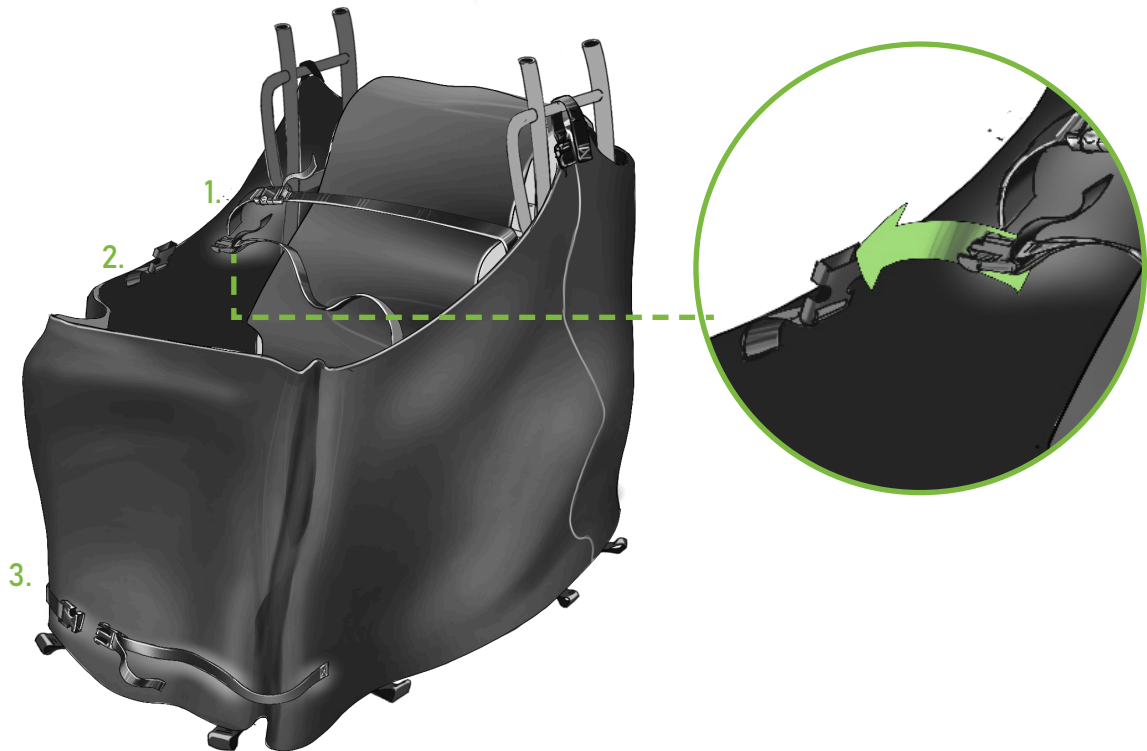


Return to the right side of the console, locate the zipper, and zip down the canvas.



Do you have questions? Call us @ 800.835.7992 Mon. – Thurs. 9am-5pm and Friday 8am-4pm EST

Step 5: Attach Center and Lower Buckles



Buckle the 3 support straps that are located at the center of the console cover.

Step 6: Pull Middle Flap Over Cover



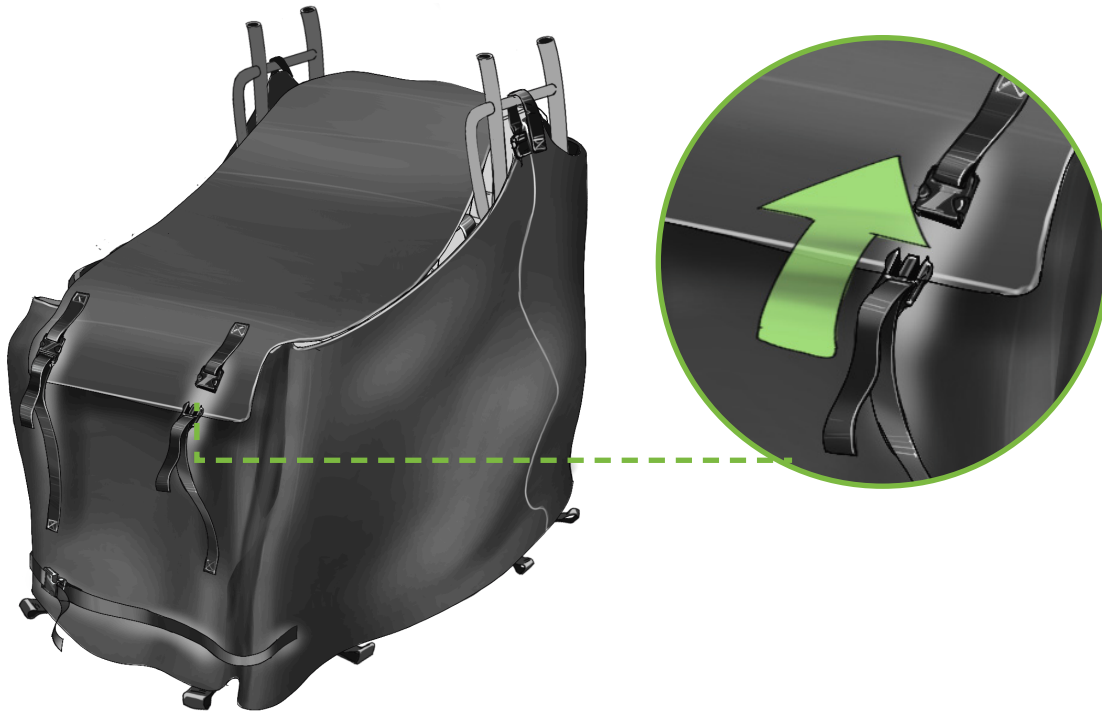
Pull the middle flap over the center support straps.



Do you have questions? Call us @ 800.835.7992 Mon. – Thurs. 9am–5pm and Friday 8am–4pm EST

3

Step 7: Buckle Down Middle Flap



Attach the two corner straps to the middle cover flap, pulling each snug.

Finished



Go back to all adjustable straps and make sure that they are pulled tight bringing the cover closer to the console.

If desired, place a rope through the loops at the bottom as an added way to tighten the cover.



Do you have questions? Call us @ 800.835.7992 Mon. – Thurs. 9am–5pm and Friday 8am–4pm EST